

# BEARCAT DAY 28

Wednesday, April 29, 2020

GRADE 6  
ANDERSON COUNTY SCHOOLS



ANDERSON COUNTY MIDDLE SCHOOL

## 6TH GRADE BEARCAT DAY 28

To Submit Your Assignments:

1. Answer in Google Classroom If you cannot,
2. Email your answer to your teacher. If you cannot,
3. Drop-off your written work at the school office.

LANGUAGE ARTS	CONTEXT CLUES If you are able to please view the video. Answer the practice questions about <a href="#">context clues</a> .
MATH	GEOMETRY STUDY GUIDE This week we will be reviewing geometry concepts to prepare for our assessment next week. Answer the questions on the third page of the <a href="#">study guide</a> .
SCIENCE	LUNAR PHASES Please read the passage and answer the included questions. If you are able to go online, you will find some simulations and games to support your learning.
SOCIAL STUDIES	STUDY GUIDE Answer the questions on the <a href="#">study guide</a> .
PE/HEALTH	DRUG MISUSE VS ABUSE View the slides on drugs and medication from this week to answer the <a href="#">questions</a> .
LITERACY	NARRATIVE ON-DEMAND Continue writing your Narrative On Demand - I Survived Coronavirus 2020. Today you will complete paragraph three.

## \*BCD28: Context Clues

\* Required

1. Email address \*

---

2. Last Name \*

---

3. First Name \*

---

4. Class Period \*

*Check all that apply.*

- 2  
 3  
 4  
 6  
 7

Let's Practice...what does RUPTURE mean?



<http://youtube.com/watch?v=6spWj70I3x0>

5. Based on the video, what does RUPTURE mean? \*

1 point

*Mark only one oval.*

- explode  
 messy  
 shaken

6. What clues did the brother provide for the meaning of RUPTURE? (Choose more than 1) \*

2 point

*Mark only one oval.*

- shaken up  
 make a big mess  
 I told you

Context Clue  
Practice

Read the short paragraphs below and determine the meaning of the words indicated.

7. I was so infuriated when I saw my broken video game. I picked it up and threw it in the trash. I stomped down the hall to my brother's room. I pushed the door open and screamed, "Why did you break it?" I think infuriated means... \*

Mark only one oval.

- shocked  
 surprised  
 angry

8. What clues in the sentence told you what infuriated means? (Choose more than one.) \*

Check all that apply.

- I picked it up and threw it  
 stomped down the hall  
 pushed the door open and screamed

9. "The sun was shining brightly. Sweat was running down my back and my shirt was soaked. It was sweltering outside? I drank three glasses of ice water to try to cool down. I even poured some on my head!" I think sweltering means... \*

Mark only one oval.

- sweating  
 hot  
 beautiful

10. Which of the following details were clues to what sweltering means? (Choose more than one) \*

Check all that apply.

- sun was shining brightly  
 sweat was running down my back  
 I drank three glasses of ice water

11. "During indoor recess, my class was very boisterous. Children were shouting at each other, some were playing loud games, and others were laughing loudly. I couldn't even hear the phone ring!" I think boisterous means... \*

Mark only one oval.

- loud  
 annoying  
 quiet

12. Which clues from the sentence helped you determine the meaning of the word boisterous? (Choose more than one) \*

Check all that apply.

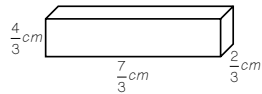
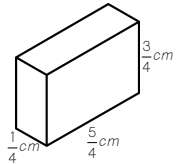
- indoor recess  
 children were shouting at each other  
 playing loud games  
 laughing loudly

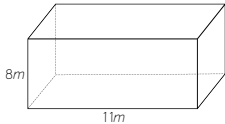
13. Now it is your turn! Pick a new school-appropriate word that your peers may not know. Write a sentence using context clues to help your peers know what the word means. We will use some of these to review for our test next week.

\_\_\_\_\_

This content is neither created nor endorsed by Google.

Google Forms

I CAN FIND THE VOLUME OF A RECTANGULAR PRISM BY PACKING IT WITH CUBES. 6.G.2	
<p>14. How many small cubes, with a side length of <math>\frac{1}{3}</math> cm, will fill the larger rectangular prism below?</p> 	<p>15. How many small cubes, with a side length of <math>\frac{1}{4}</math> cm, will fill the larger rectangular prism below?</p> 

I CAN APPLY A FORMULA TO FIND VOLUME. 6.G.2	
<p>16. Madison is building a toy box that measures 2 ft by 5 ft by 3.5 ft. What is the volume of the toy box?</p>	<p>17. A cube measures 8 inches on each side. How many cubic inches can fit in the cube?</p>
<p>18. What is the missing width of the object below, if the volume is 352 cubic meters?</p> 	<p>19. A rectangular prism has a base with an area of 200 cm<sup>2</sup>. The volume of the prism is 3,000 cm<sup>3</sup>. What is the height of the prism?</p>

# Lunar phases - Actively Learn

[read.activelylearn.com](http://read.activelylearn.com)



Can the Moon cast shadows?

Of course! A full moon is very bright. It is bright enough to cast shadows. If you are out away from city lights and the Moon is full you might cast your own Moon shadow.

## The Phases of the Moon

The Moon does not produce any light of its own. It only reflects light from the Sun. The Moon has phases because it orbits around Earth. One orbit takes about 28 days. As the moon moves around Earth, different parts of it appear to be lit up by the Sun. The Moon sometimes appears fully lit and sometimes completely dark. Sometimes it is partially lit. The different appearances of the Moon are referred to as phases of the Moon (figure below). A **full moon** occurs when the whole side facing Earth is lit. This happens when Earth is

between the Moon and the Sun. The moon's phases are a result of the moon's orbit around Earth.

question 2 DOK 2 Standard RST.2 MS-ESS1-1

What causes the phases of the Moon?

The Moon reflects light from Earth, and the position of our orbit around the Sun determines the phases of the Moon.

The Moon reflects light from the Sun, and the position of the Moon's orbit around Earth determines the phases of the Moon.

#1

The Moon reflects its own light, and the position of the Moon's orbit around Earth determines the phases of the Moon.

none of the above



About one week later, the Moon enters the quarter-moon phase. Only half of the Moon's lit surface is visible from Earth, so it appears as a half circle. Another week later, the Moon moves between Earth and the Sun. The side of the Moon facing Earth is completely dark. This is called a **new moon**. Sometimes you can just barely make out the outline of the new moon in the sky. This is because some sunlight reflects off the Earth and hits the Moon.

question 3 DOK 2 Standard RST.1 MS-ESS1-1

During the new moon phase, why is the Moon not visible in the sky?

The Moon is not visible because it is stationary in its orbit during the new moon phase.

Earth is between the Moon and the Sun, so the unlit side of the Moon is facing us on Earth.

The Moon is between Earth and the Sun, so the unlit side of the Moon is facing us on Earth.

None of the above is correct.

#2

One week after that, the Moon is in another quarter-moon phase. Finally, in one more week, the Moon is back to full. Before and after the quarter-moon phases are the gibbous and crescent phases. During the **crescent** moon phase, the Moon is less than half lit. It is seen as only a sliver or crescent shape. During the **gibbous** moon phase, the Moon is more than half lit. It is not full. The Moon undergoes a complete cycle of phases about every 29.5 days.

question 4 DOK 4 Standard RST.1 MS-ESS1-1

#3 Does everyone on Earth see the Moon in the same phase at the same time? Prove why or why not.

## Summary

- The appearance of the Moon from Earth has distinct phases.
- A full moon is completely lit; a new moon is completely dark.
- A gibbous moon is more than half lit; a crescent moon is less than half lit.

Watch Video At: <https://youtu.be/nXseTWTZlks>

question 5 Standard MS-ESS1-1

How much of the moon is always lit by the sun?

The Moon is 100% lit at all times.

#4 The moon gets different amounts of light from the sun at different times of the month.

half of the moon is always lit by the sun

the moon produces its own light, so none comes from the sun

question 6 Standard MS-ESS1-1

The moon phase we see depends on what?

Amount of light the sun produces

Amount of light the moon produces

The location of the moon in its orbit around earth

The location on Earth of the person watching

#3 Short answer : **Does everyone on Earth see the Moon in the same phase at the same time? Prove why or why not.**

Do not write outside this box.


Name: \_\_\_\_\_ Class Per: \_\_\_\_\_

## Ancient Rome Study Guide

The test covering ancient Rome is on **Friday May 1st**. The Ancient Rome Assessment will be taken on May 1st and completed on May 4th. Use this study guide to help prepare for the test. Remember, you need to be able to **explain** all of these questions and topics, not just write one or two words.

Answer on a separate piece of paper.

### Vocabulary – (Vocabulary Chart)

Plebeian

Dictator

Patrician

Triumvirate

Republic

Census

Consuls

Forum

### Geography – NTI days 1-9

In what modern country is the city of Rome located?

Where is this country located?

What landforms can be found near and around Rome?

How did this affect the Roman civilization?

### Founding of Rome – NTI days 1-9

According to legend, who were the brothers that fought to establish the city of Rome?

According to legend, how did they grow up?

How did they decide where to build the city of Rome?

Why was Rome built at that location?

### Government – NTI Days 13-16

What two men were at the top of Roman Republic? What were their responsibilities?

What was the Senate? Who could belong to this group? What were their responsibilities?

What was the Assembly? Who could belong to this group? What were their responsibilities?

Who spoke for the poor? What power did they have?

What are 'checks and balances'? Give examples from the Roman Republic.

### Punic Wars – NTI day 17

What city was Rome fighting during these wars?

Where was this city located?

Describe what happened during each of the three Punic wars.

What did Rome gain from these three wars? What effect did this have on the Romans?

### Roman Emperors and "Pax Romana" – NTI day 18-23

Who was Julius Caesar? How did he gain control of the Roman Government? Why was he murdered?

Who was Octavian/Augustus? Why was he able to stay in power?

What does "Pax Romana" mean? Describe the Roman Empire during this time.

## Drug Misuse vs Abuse

\* Required

1. Email address \*

---

2. What is it when a person uses a drug for a medical reason, but doesn't follow directions? \*

2 point

*Mark only one oval.*

Drug Abuse

Drug Misuse

3. What is it when a person uses a drug but no medical reason exists? \*

2 point

*Mark only one oval.*

Drug Abuse

Drug Misuse

4. Lisa has a headache and takes 2 aspirin every hour for 4 hours. The directions say to take 1 every 4 hours. What is this an example of? \*

2 point

*Mark only one oval.*

- Drug Abuse  
 Drug Misuse

5. Drug abuse can lead to addiction. \*

2 point

*Mark only one oval.*

- true  
 false

6. Drug misuse only happens with medication. \*

2 point

*Mark only one oval.*

- True  
 False

---

This content is neither created nor endorsed by Google.

Google Forms